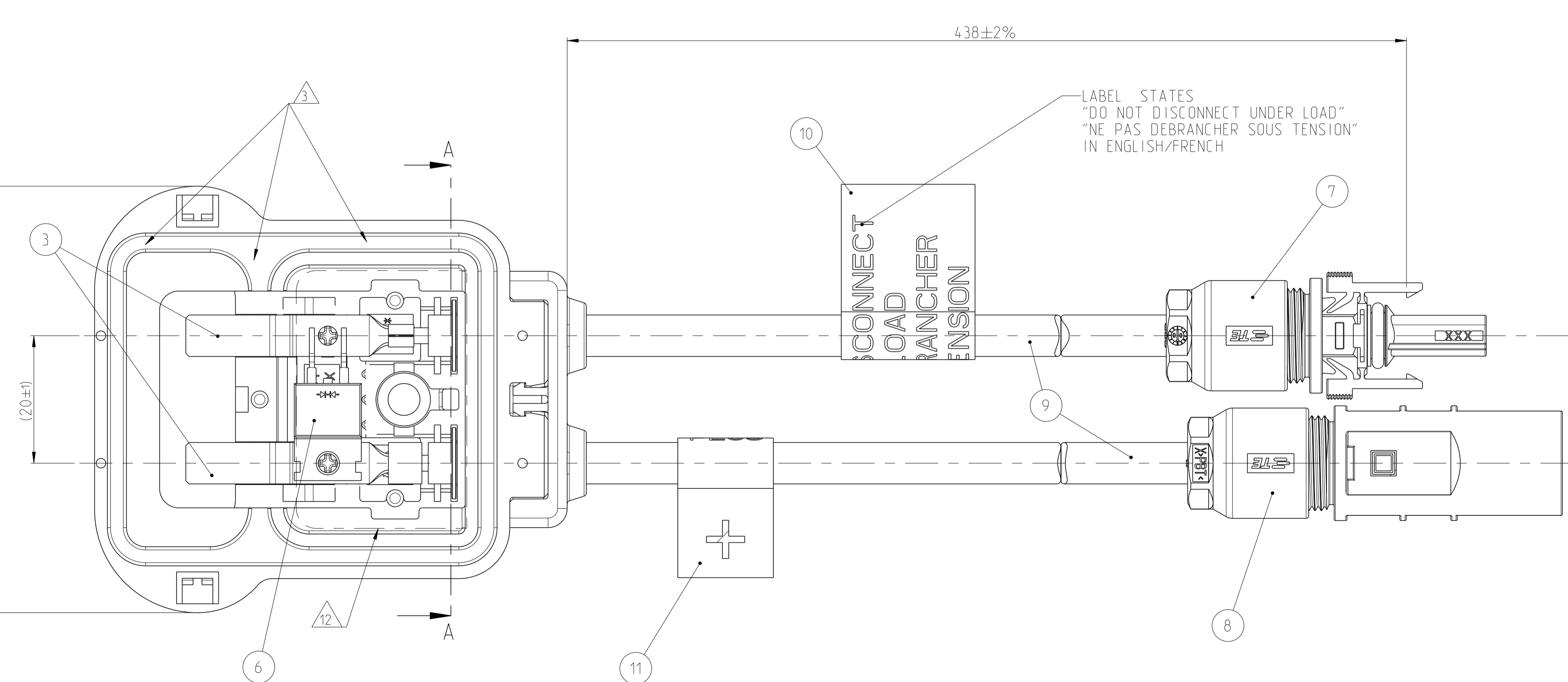
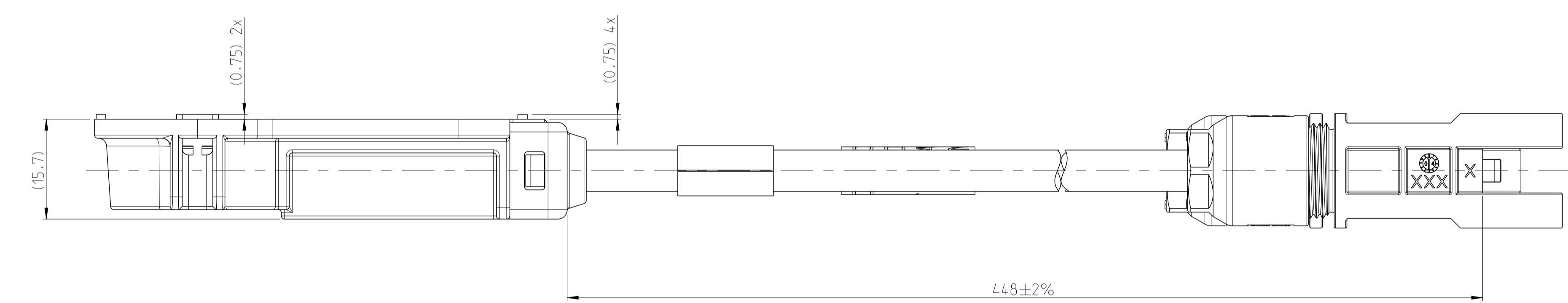
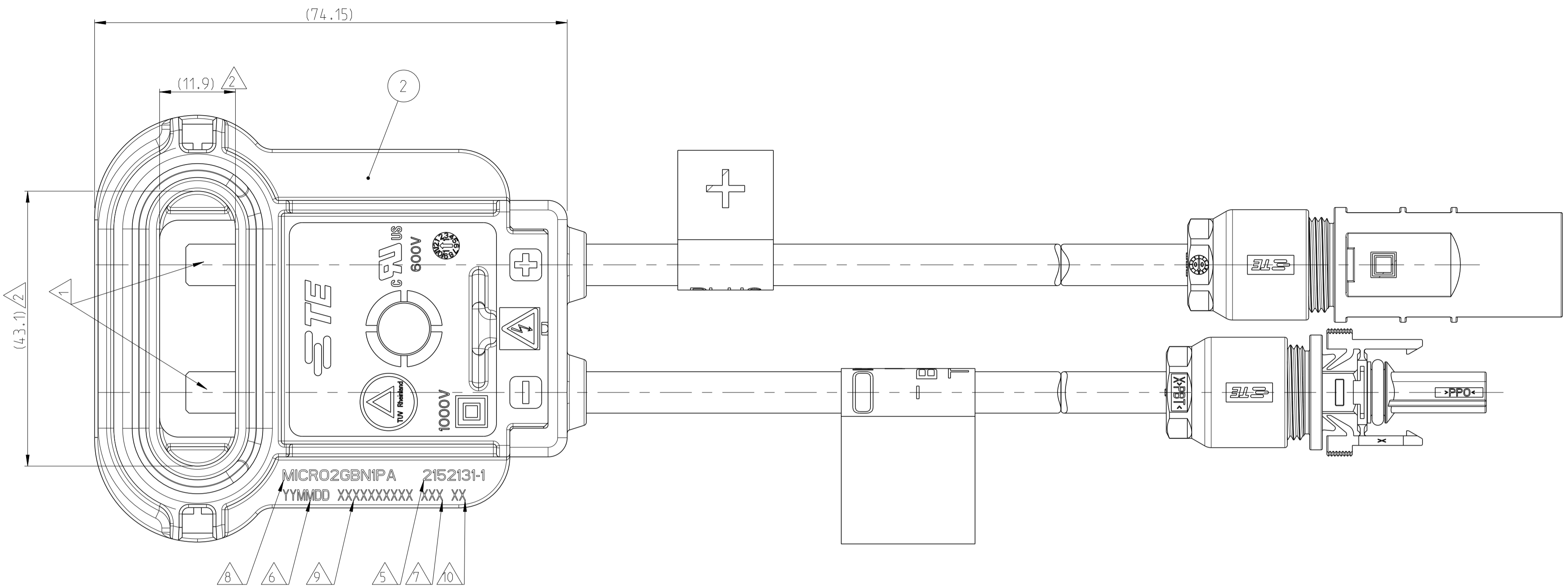


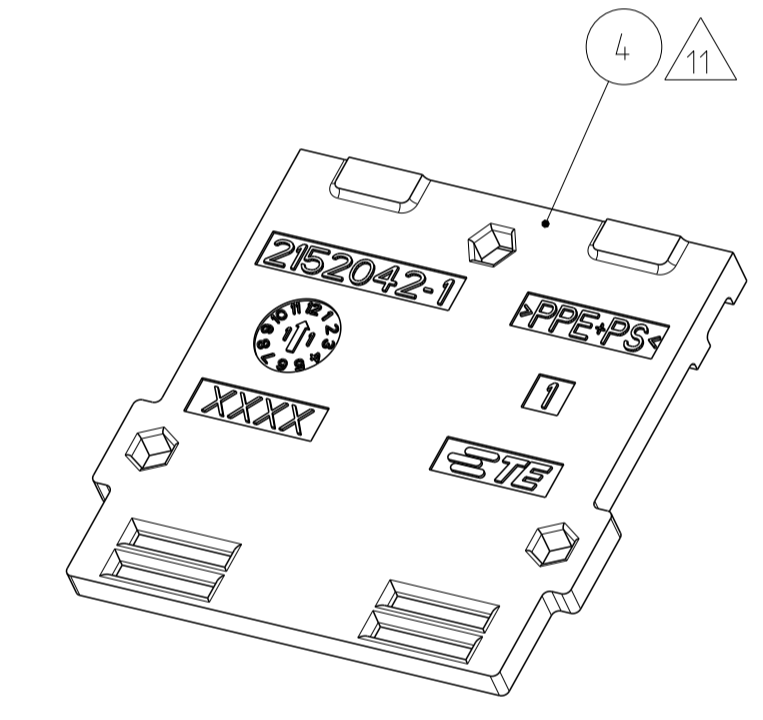
LOC	DIST	REVISIONS					
		P	LTN	DESCRIPTION	DATE	OWN	APVD
A1	-	B1		LASER PRINTER ADDED	10OCT2012	V.P	T.J
		C		BOTTOM COVER REMOVED FROM HOUSING	13FEB2015	KR	TD



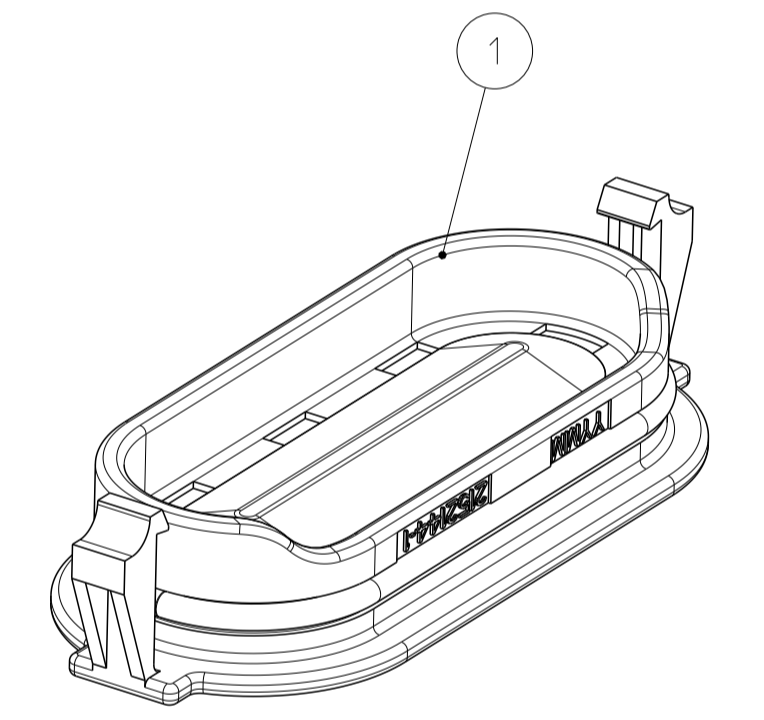
MATERIAL:
 HOUSING: MODIFIED POLYPHENYLENE ETHER, COLOR: BLACK, UL94 5VA, F1 RATED.
 CONTACT COVER: MODIFIED POLYPHENYLENE ETHER, COLOR: BLACK, UL94 5VA, F1 RATED.
 CONNECTOR: POLYPHENYLENE OXIDE, COLOR: BLACK, UL94V-0, F1 RATED.
 TERMINAL: TIN PLATED COPPER ALLOY.
 DIODE VOLTAGE: 150VDC MAX.
 CABLE: 4.0MM² DOUBLE INSULATED PV CABLE (UL & TUV APPROVED).

REQUIREMENTS/RATINGS:
 ROHS COMPLIANT.
 OPERATION TEMPERATURE: -40° TO +90°C
 VOLTAGE: 1000 VDC TUV:600V UL.
 CURRENT: 8 AMP MAX.

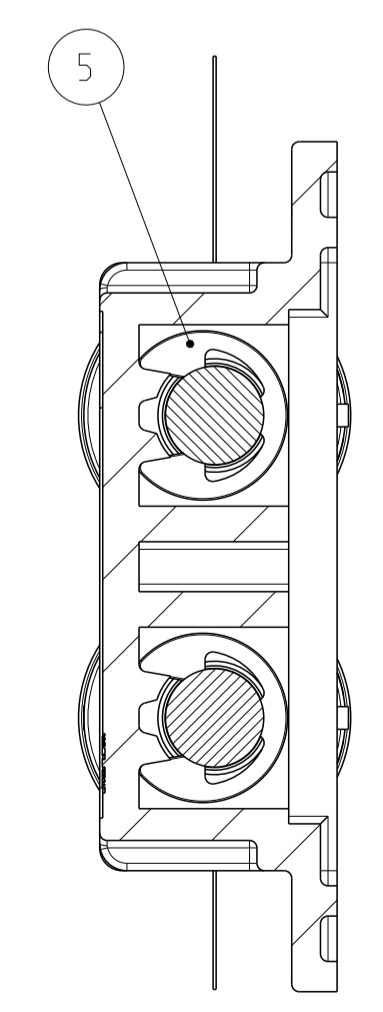
- △ THIS AREA TO BE FILLED WITH SHIN-ETSU KE-210F (OR EQUIVALENT) POTTING COMPOUND BY CUSTOMER, PRIOR TO FIELD INSTALLATION.
- △ SEALANT GROOVE TO BE FILLED WITH DOW CORNING PV-804 ADHESIVE (OR EQUIVALENT) PRIOR TO PLACEMENT ON MOUNTING SURFACE.
- △ CONTACT COVER INSTALLED AFTER POTTING CAVITY IS FILLED.
- △ PART NUMBER.
- △ PRODUCTION DATE (YYMMDD).
- △ MANUFACTURING LOCATION CODE.
- △ MODEL CODE ACCORDING TO TE-SPEC. 404-74000-1.
- △ CONSECUTIVE SERIAL NUMBER.
- △ TEST EQUIPMENT NUMBER.
- △ BOTTOM COVER SHIPPED UNASSEMBLED TO HOUSING.
- △ THIS AREA TO BE FILLED WITH POTTING COMPOUND BY CUSTOMER PRIOR TO FIELD INSTALLATION. POTTING VOLUME = 5.00 cm³.



BOTTOM COVER



CONTACT COVER
Scale 2:1



Section A-A

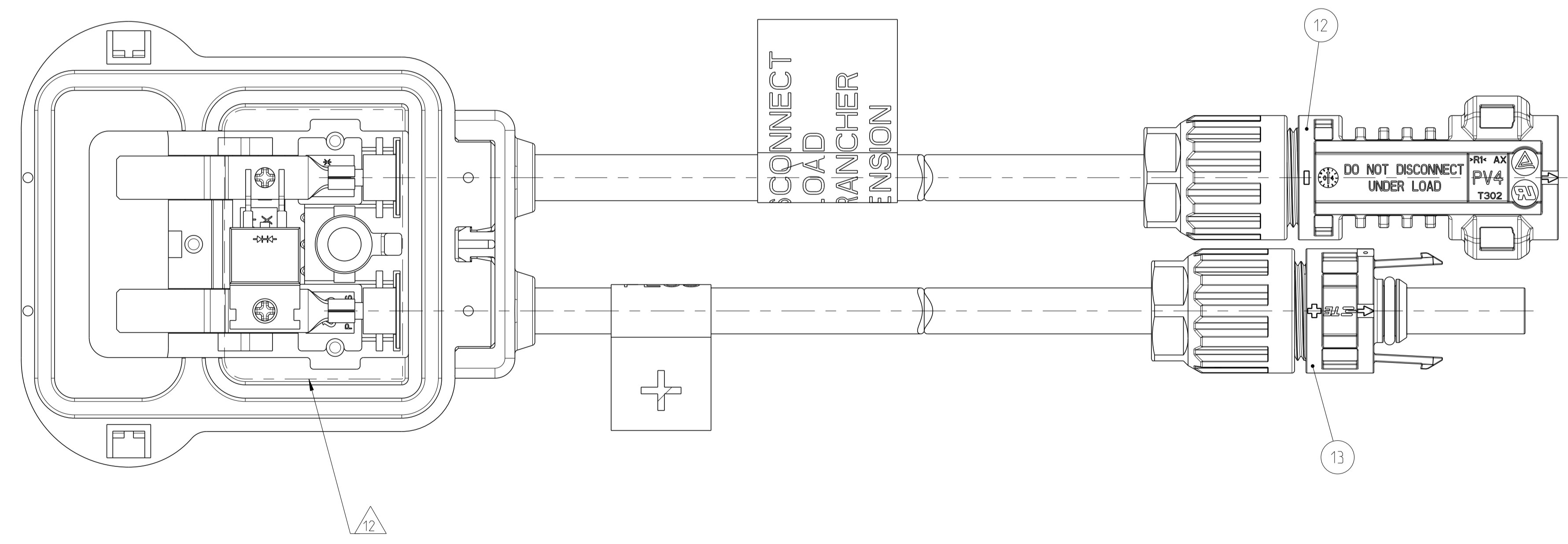
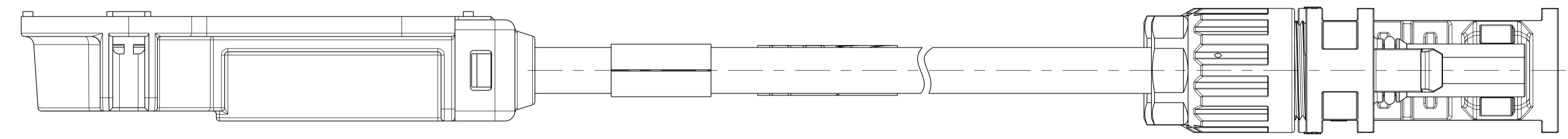
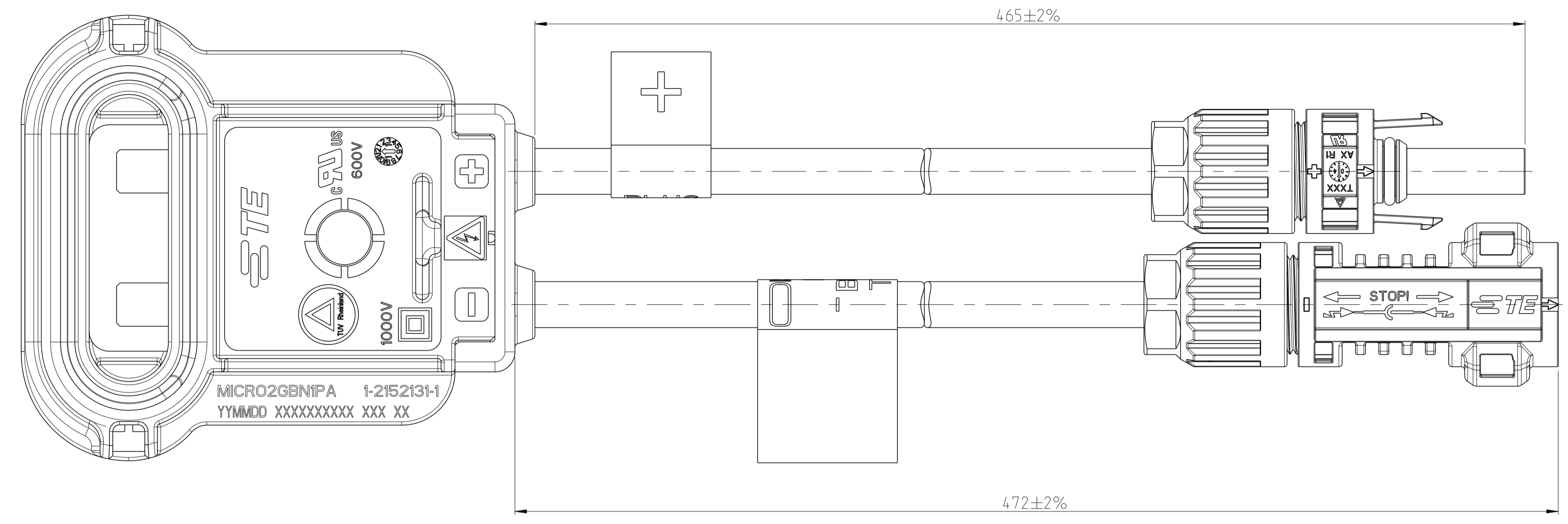
1-2152131-1		2152131-1		PART-NO.		
PIECES	ITEM-NO.	DESCRIPTION	SURFACE COLOUR	MATERIAL		
1	13	PV4 SOCKET CONNECTOR PRE-ASSEMBLED, PLUS CODED	-	-		
1	12	PV4 PIN CONNECTOR PRE-ASSEMBLED, MINUS CODED	-	-		
1	11	LABEL "PLUS", PN 1718078-1	WHITE	POLYESTER		
1	10	LABEL (DO NOT DISCONNECT UNDER LOAD), PN 1718077-4	WHITE	POLYESTER		
AR	AR	SOLAR CABLE DUAL RATED (TUV/UL) 4mm ² /12 AWG, PN 1983530-2	BLACK	-		
-	1	CONNECTOR (PIN), NEUTRAL CODED, PN 6-1394461-2	BLACK	PPE+PS		
-	1	CONNECTOR (SOCKET), MINUS CODED, PN 1394462-4	BLACK	PPE+PS		
1	6	BYPASS DIODE, SMD	-	-		
2	5	E-RING	PLAIN	STAINLESS STEEL		
1	4	COVER BOTTOM	BLACK	PPE+PS		
2	3	CONTACT	TIN PLATED	CuSn		
1	2	HOUSING MAIN NG, WITH STANDOFFS	BLACK	PPE+PS		
1	1	CONTACT COVER	BLACK	PPE+PS		

THIS DRAWING IS A CONTROLLED DOCUMENT. OWN: K. SALZMANN 13OCT2011
 CHK: A.W. OBER 13OCT2011
 APVD: A.W. OBER 13OCT2011

DIMENSIONS: mm
 TOLERANCES UNLESS OTHERWISE SPECIFIED:
 0 PLC # # # #
 1 PLC # # # #
 2 PLC # # # #
 3 PLC # # # #
 4 PLC # # # #
 ANGLES # # # #
 MATERIAL - FINISH -

NAME: ASSEMBLY HOUSING MICRO SOLARLOK NEXT GEN.
 SIZE: CAGE CODE DRAWING NO. RESTRICTED TO: A1 00779 ©=2152131
 Customer Drawing SCALE: 2:1 SHEET 1 OF 2 REV C

LOC		DIST		REVISIONS			
A	1	P	LTH	DESCRIPTION	DATE	OWN	APVD
		-		SEE SHEET 1	-	-	-



MISSING DIMENSION AND NOTES. PLEASE SEE SHEET No.1

1- -1 AS SHOWN

THIS DRAWING IS A CONTROLLED DOCUMENT.		OWN: K.SALZMANN 130CT2011	TE Connectivity
DIMENSIONS: mm		CHK: A.W.ÖBER 130CT2011	
DIMENSIONS: mm 0 PLC # # # # 1 PLC # # # # 2 PLC # # # # 3 PLC # # # # 4 PLC # # # # ANGLES # # # # FINISH # # # #		APVD: A.W.ÖBER 130CT2011 PRODUCT SPEC APPLICATION SPEC	NAME: ASSEMBLY HOUSING MICRO SOLARLOK NEXT GEN. SIZE: A1 CAGE CODE: 00779 DRAWING NO: C=2152131
MATERIAL: -		WEIGHT: -	RESTRICTED TO: -
		Customer Drawing	SCALE: 2:1 SHEET: 2 OF 2 REV: C